

PRODUCT DATA SHEET

SikaRoof® VersiJack® Vertical Paver Clips

VERTICAL EDGE CLIP FOR HEIGHT-ADJUSTABLE PEDESTAL SYSTEM FOR RAISED FLOORING

DESCRIPTION

SikaRoof® VersiJack® Vertical Paver Clips is an accessory used to hold a 20 mm thick paver horizontally to construct the raised flooring fascia. Vertical edge clips are manufactured from aluminium, and this clip holds the top of the fascia paver at the finished paver layer.

SikaRoof® VersiJack® Vertical Paver Clips is used in conjunction with SikaRoof® VersiJack® and SikaRoof® VersiJack® Vertical Paver Clips Base and is installed between the top of pedestals and beneath the pavers.

USES

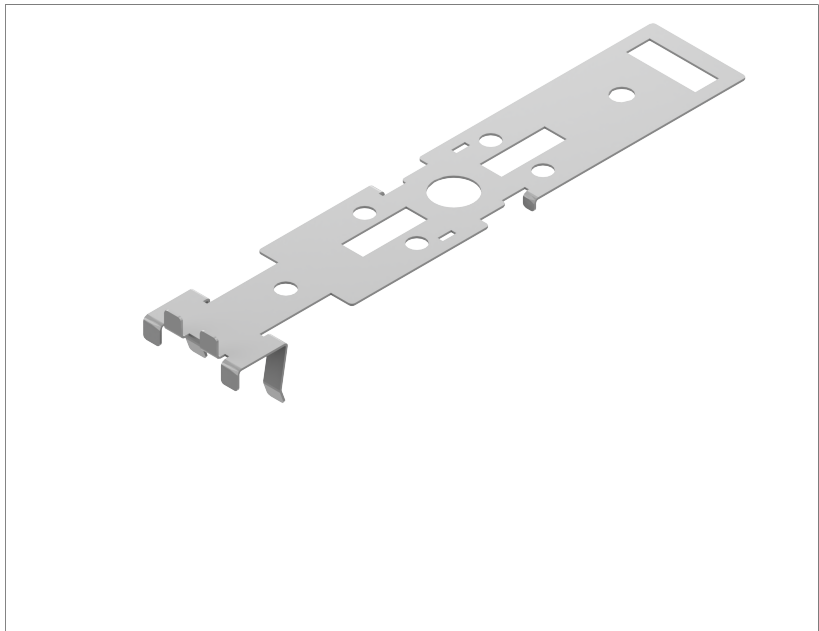
Vertical edge clip for raised paving installations on podiums, balconies, roof terraces and areas with hard-scape finishes.

FEATURES

- Creates a fascia around raised flooring
- Holds 20 mm thick paver
- Resistant to biological attack by moulds and algae
- Chemically resistant to acids, alkalis, oils and soil chemicals

PRODUCT INFORMATION

Packaging	▪ SikaRoof® VersiJack® Vertical Paver Clips Top Refer to pricelist
Appearance and colour	Silver flat clip



Shelf life	No expiration date if the product is stored in accordance to the storage conditions as stated in this Product Data Sheet.
Storage conditions	Product must be stored in their original packing, and under cool and dry conditions. The product must be protected from direct sunlight, rain, snow and ice, and any other elements.
Dimensions	242 x 45 x 33 mm

BASIS OF PRODUCT DATA

All technical data stated in this Product Data Sheet are based on laboratory tests. Actual measured data may vary due to circumstances beyond our control.

ECOLOGY, HEALTH AND SAFETY

This product is an article as defined in article 3 of regulation (EC) No 1907/2006 (REACH). It contains no substances which are intended to be released from the article under normal or reasonably foreseeable conditions of use. A safety data sheet following article 31 of the same regulation is not needed to bring the product to the market, to transport or to use it. For safe use follow the instructions given in the product data sheet. Based on our current knowledge, this product does not contain SVHC (substances of very high concern) as listed in Annex XIV of the REACH regulation or on the candidate list published by the European Chemicals Agency in concentrations above 0,1 % (w/w).

LEGAL NOTES

The information, and, in particular, the recommendations relating to the application and end-use of Sika products, are given in good faith based on Sika's current knowledge and experience of the products when properly stored, handled and applied under normal conditions in accordance with Sika's recommendations. In practice, the differences in materials, substrates and actual site conditions are such that no warranty in respect of merchantability or of fitness for a particular purpose, nor any liability arising out of any legal relationship whatsoever, can be inferred either from this information, or from any written recommendations, or from any other advice offered. The user of the product must test the product's suitability for the intended application and purpose. Sika reserves the right to change the properties of its products. The proprietary rights of third parties must be observed. All orders are accepted subject to our current terms of sale and delivery. Users must always refer to the most recent issue of the local Product Data Sheet for the product concerned, copies of which will be supplied on request.

Sika Australia Pty Limited
ABN 12 001 342 329
aus.sika.com
Tel: 1300 22 33 48

Product Data Sheet
SikaRoof® VersiJack® Vertical Paver Clips
May 2026, Version 01.01
020945051990243225

SikaRoofVersiJackVerticalPaverClips-en-AU-(05-2026)-1-1.pdf