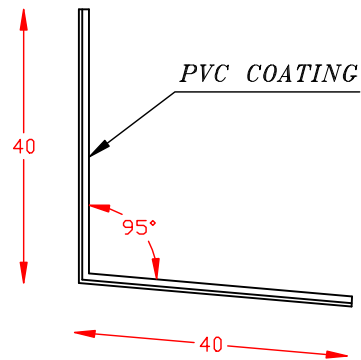
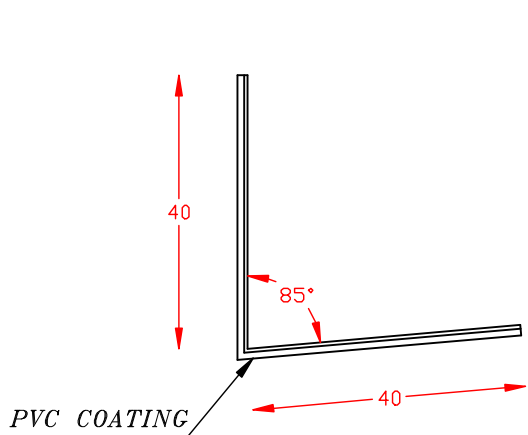


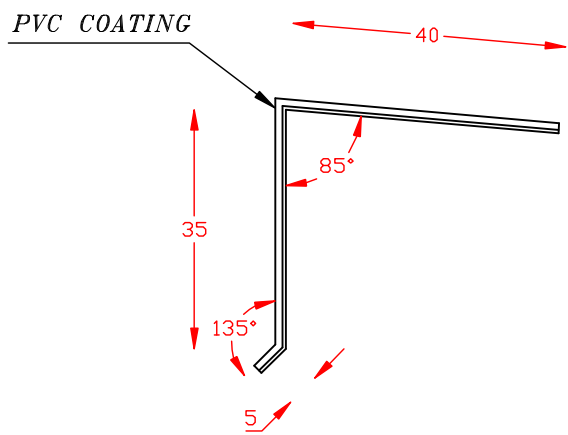
Type 1



Type 2



Type 3

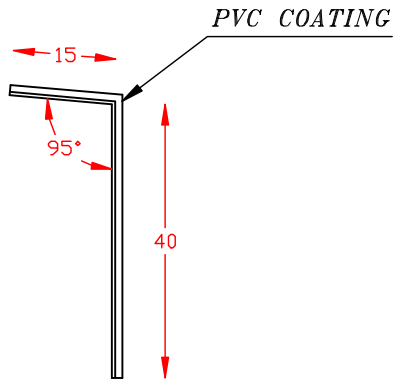


Type 4

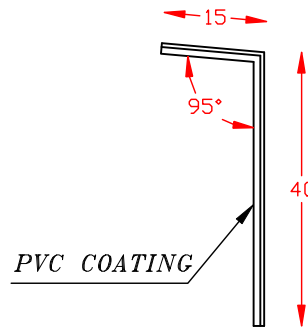


Sika Australia Pty Ltd  
 Tel : (02) 9725 1145  
 Fax: (02) 9725 2605

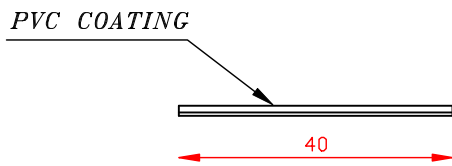
Project	Typical Sections				
Title	Sarnafil Angles				
Checked by	MS	Scale	N.T.S.	DWG No.	D 005
Designed by	—	Date	09/04/09	P. No.	1/2
Drawn by	PA	Version	D1	Remark	



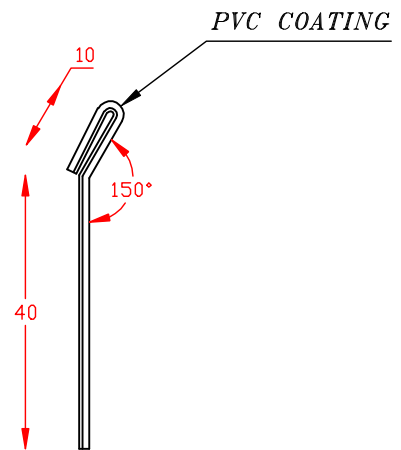
Type 5



Type 6



Type 7



Type 8



Sika Australia Pty Ltd  
 Tel : (02) 9725 1145  
 Fax: (02) 9725 2605

Project	Typical Sections				
Title	Sarnafil Angles				
Checked by	MS	Scale	N.T.S.	DWG No.	D 006
Designed by	—	Date	09/04/09	P. No.	2/2
Drawn by	PA	Version	D1	Remark	