

PRODUCT DATA SHEET

SikaRoof® Anchor-W PVC

Prefabricated universal roof connection point

DESCRIPTION

SikaRoof® Anchor-W PVC is a manufactured pre-formed accessory providing a secure watertight connection directly between the roof substructure/roof deck and waterproofing membrane.

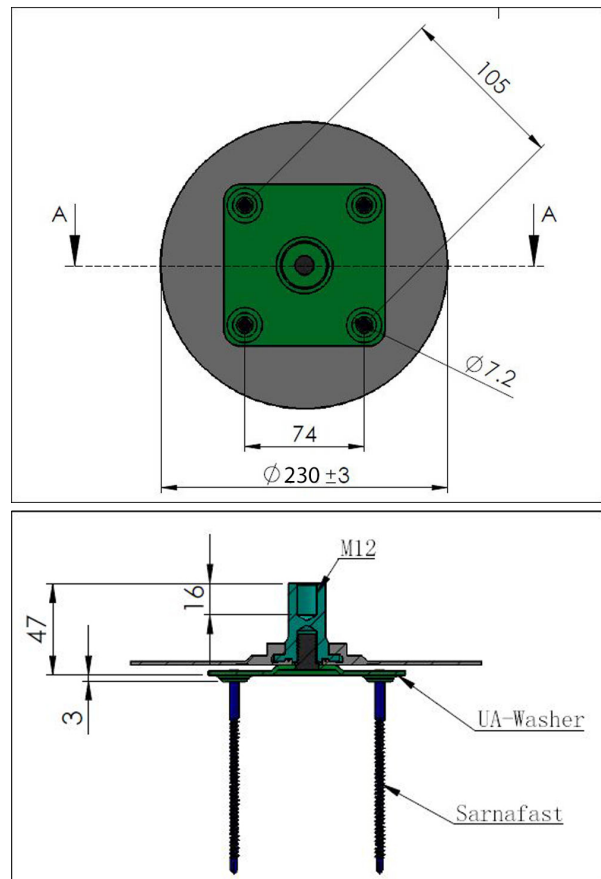
USES

SikaRoof® Anchor-W PVC may only be used by experienced professionals.

- Universal connection point for fixing roof mounted products to exposed Sarnafil® PVC and Sikaplan® PVC roofing membranes.

CHARACTERISTICS / ADVANTAGES

- Provides a secure watertight anchor to the roof deck
- Resistant to UV radiation
- Heat weldable
- Adaptable for different substrates and mounting requirements
- Removes the wind load off of the membrane and onto the structural deck



PRODUCT INFORMATION

Product Data Sheet
SikaRoof® Anchor-W PVC
April 2023, Version 02.02
020945012100001018

Composition	Injected, modified polyvinyl chloride (PVC) compound / Machined Stainless Steel Grade 316. Washer made of galvanized carbon steel.	
Packaging	Pre-assembled unit (PVC part is already assembled/sealed to the washer). Fasteners are not included. Sika recommends Sarnafast Fastener type SBF-6.0. Also refer to price list.	
Shelf life	5 years from date of production.	
Storage conditions	The product must be stored in original, unopened and undamaged sealed packaging in dry conditions at temperatures between +5 °C and +30 °C. Always refer to packaging.	
Appearance and colour	White and light grey	Stainless Steel
Width	180 mm \varnothing (+/- 3)	
Height	50 mm (+/- 1)	

SYSTEM INFORMATION

System structure	SikaRoof® Anchor-W PVC is compatible with all types of exposed Sarnafil® PVC and Sikaplan® PVC membranes.	
	Fixing substrate	Concrete, metal deck, Plywood/OSB
	Thermal insulation requirement	The compressive strength must be sufficient to carry the additional long term load of the connection point.
	Roof slope	Maximum 10°
	Design load	Maximum 1600 N per SikaRoof® Anchor-W PVC fixed with 4 fasteners (allowable vertical uplift capacity)
		Maximum 800 N per SikaRoof® Anchor-W PVC fixed with 2 fasteners (allowable vertical uplift capacity). Fasteners must be arranged diagonally on the SikaRoof® Anchor-W PVC washer plate.
	Fastener	Design load according to fastener supplier. Sika recommends Sarnafast fastener type SBF-6.0

APPLICATION INFORMATION

Ambient air temperature	-20 °C min. / +60 °C max.
Substrate temperature	-30 °C min. / +60 °C max.

BASIS OF PRODUCT DATA

All technical data stated in this Product Data Sheet are based on laboratory tests. Actual measured data may vary due to circumstances beyond our control.

IMPORTANT CONSIDERATIONS

Installation work must only be carried out by Sika® trained and approved contractors, experienced in this type of application.

- Sika® is not responsible for the permissible SikaRoof® Anchor-W PVC forces or the related loading calculations.
- Preliminary pull-out tests are mandatory.

- Installation of ancillary products, e.g. contact adhesives / cleaners is limited to temperatures above +5 °C. Refer to relevant Product Data Sheets for further information.

ECOLOGY, HEALTH AND SAFETY

REGULATION (EC) NO 1907/2006 - REACH

This product is an article as defined in article 3 of regulation (EC) No 1907/2006 (REACH). It contains no substances which are intended to be released from the article under normal or reasonably foreseeable conditions of use. A safety data sheet following article 31 of the same regulation is not needed to bring the

product to the market, to transport or to use it. For safe use follow the instructions given in the product data sheet. Based on our current knowledge, this product does not contain SVHC (substances of very high concern) as listed in Annex XIV of the REACH regulation or on the candidate list published by the European Chemicals Agency in concentrations above 0,1 % (w/w).

APPLICATION INSTRUCTIONS

APPLICATION METHOD / TOOLS

Installation procedure

Clean Sarnafil® PVC or Sikaplan® PVC membrane around installation area.

Fix the SikaRoof® Anchor-W PVC to the substrate with appropriate fasteners and weld the edge of the SikaRoof® Anchor-W PVC PVC base plate to the waterproofing membrane. Use electric hot air welding equipment such as manual hot air welding guns (Leister) and pressure rollers in accordance with current Sika® application manuals.

Sufficient roof drainage characteristics after installing SikaRoof® Anchor-W PVC needs to be ensured.

The suitability of an M12 threaded steel section must be checked to prevent the risk of bimetallic corrosion.

LOCAL RESTRICTIONS

Please note that as a result of specific local regulations the declared data for this product may vary from country to country. Please consult the local Product Data Sheet for the exact product data.

LEGAL NOTES

The information, and, in particular, the recommendations relating to the application and end-use of Sika products, are given in good faith based on Sika's current knowledge and experience of the products when properly stored, handled and applied under normal conditions in accordance with Sika's recommendations. In practice, the differences in materials, substrates and actual site conditions are such that no warranty in respect of merchantability or of fitness for a particular purpose, nor any liability arising out of any legal relationship whatsoever, can be inferred either from this information, or from any written recommendations, or from any other advice offered. The user of the product must test the product's suitability for the intended application and purpose. Sika reserves the right to change the properties of its products. The proprietary rights of third parties must be observed. All orders are accepted subject to our current terms of sale and delivery. Users must always refer to the most recent issue of the local Product Data Sheet for the product concerned, copies of which will be supplied on request.

Sika Australia Pty Limited

ABN 12 001 342 329

aus.sika.com

Tel: 1300 22 33 48

Product Data Sheet

SikaRoof® Anchor-W PVC

April 2023, Version 02.02

020945012100001018

SikaRoofAnchor-WPVC-en-AU-(04-2023)-2-2.pdf