



GLASS EMBEDDING
SAFE AND FAST GLASS
EMBEDDING SOLUTION FOR
GLASS BALUSTRADES

BUILDING TRUST



GLASS EMBEDDING FOR TOTAL VISION GLAZING

MODERN ARCHITECTURE IS GLASS ARCHITECTURE. Light-flooded spaces and transparency in the buildings as well as outwards are the mirror of our present society, which is becoming more and more transparent through the digitalization. This transparency is not to be interrupted by the balconies. This is why glass balconies are increasingly being used. When it comes to connecting glass to the frame, Sika has always a suitable and economical solution. For total vision glazing and glass balustrades, ideally the glass panes should be fixed to the floor with low punctual stress transfer to the glass. Especially as tempered and safety glass are normally used. SikaForce®-335 GG (former SikaGlaze® GG-735) and SikaForce®-331 GG the bottom glass edge is embedded in standard U-profiles, and loads are securely transferred through the glass elements thus results in uniform stress distribution. SikaForce®-335 GG and SikaForce®-331 GG create a strong and real flexible fastening solution capable of withstanding highest static and impact load requirements and is ideal for horizontal glass wall grouting jobs. In addition Sika offers SikaForce®-7720 L45 for stairs and inclined glass railings that offers equal application and mechanical benefits. The installation of the glass panes is very simple and be easily removed and replaced in the event of repair work.

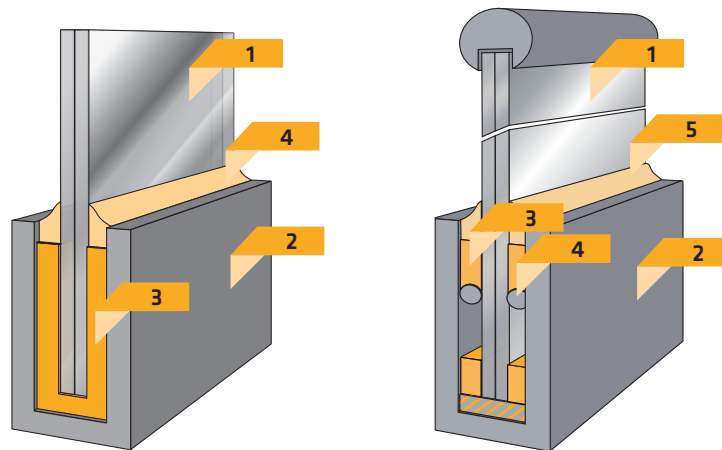
BENEFITS

- Stress-free embedding of glass balustrades
- Suitable for laminated safety glass
- Fast installation
- Use of standard U-profiles
- Minimal planning and preparation work required
- Approved by notified bodies



THE PRODUCTS GROUTING SYSTEM FOR GLASS BALUSTRADES

WHAT MADE US CHOOSE THE BEST TECHNOLOGY FOR GLASS EMBEDDING? It is the mechanics and the workability which makes the difference to the alternatives offered in the market. The Sika products for glass embedding offer just enough flexibility to take up some movement created by impact or thermal dilatation. On the other hand, their stiffness avoid wiggling of the balustrade. To prove that, SikaForce®-331 GG, SikaForce®-335 GG and SikaForce®-7720 L45 are certified complying with the technical regulations for the use of Safety Barrier Glazing (TRAV) which is a third party evaluation report. At the same time, the application of the products is very simple and therefore also very economical. In exterior applications the glass embedding products are protected against weathering by Sikasil® Weathersealing sealants.



- 1 Glass Balustrade
- 2 Metallic Clamped Support
- 3 SikaForce®-335 GG / SikaForce®-331 GG
- 4 Sikasil® Weather Sealant

- 1 Glass Balustrade
- 2 Metallic Clamped Support
- 3 SikaForce®-7720 L45
- 4 Backer Rod
- 5 Sikasil® Weather Sealant

	SikaForce®-335 GG	SikaForce®-331 GG	NEU	SikaForce®-7720 L45
Base	Two component polyurethane	Two component polyurethane		Two component polyurethane
Potlife	30 min	50 min		45 min
Shore D	60	30		80
Viscosity mixed	10 Pas for horizontal application Self leveling for easy manual / machine application (viscosity similar to honey)	1.5 Pas for horizontal application Self leveling and low viscous product for easy and manual application (viscosity similar to olive oil)		200 Pas for stairs and inclined glass railings
Compatible with laminated glass	Yes	Yes		Yes
Packaging	Component A Can 5 kg, Pail 25 kg Component B Can 1 kg, 5 kg	Component A Can 4 kg, Pail 16 kg Component B Can 1 kg, 4 kg		Dual Cartridge 415 ml (635g) with static mixer

NEU Product name: SikaGlaze® GG-735 changes to SikaForce®-335 GG. The product formulation and its performance remain the same. The original test results, technical information and relevant documents continue to be representative also for SikaForce®-335 GG.

NEU Very low viscous product (viscosity similar to olive oil) SikaForce®-331 GG for easy and manual glass embedding jobs.

GLOBAL BUT LOCAL PARTNERSHIP



For more literature about Sika Facade and Fenestration solutions browse:

www.sika.com/ffi-downloads

FOR MORE INFORMATION:



www.sika.com/ses

WHO WE ARE

Sika is a specialty chemicals company with a leading position in the development and production of systems and products for bonding, sealing, damping, reinforcing and protecting in the building sector and the motor vehicle industry. Sika's product lines feature concrete admixtures, mortars, sealants and adhesives, structural strengthening systems, flooring as well as roofing and waterproofing systems.

Our most current General Sales Conditions shall apply.

Please consult the Data Sheet prior to any use and processing.



TECHNICAL SERVICE

Sika Services AG
FFI Competence Centre
Tueffenwies 16
CH-8048 Zurich
Phone +41 58 436 5287
Fax +41 58 436 5407
it-ses-admin@it.sika.com

SIKA SERVICES AG

Tueffenwies 16
CH-8048 Zurich
Switzerland

BUILDING TRUST

